

INLINE BALE WRAPPER SPEEDWAY 120

INLINE BALE WRAPPER SPEEDWAY 120



TECHNICAL FEATURES

	SPEEDWAY 120
Weight, kg	2200±50
Width of wrapping used, mm	750
Transport speed, km/h, no more than	10
Dimensions in transport position	
Length, mm	6690±25
Width, mm	2500±10
Height, mm	2920±10
Production output per hour of main time, at least, bales per hour (t/h)	80 (68)
Dimensions of bale packed, mm	
Diameter, mm	1550±50
Width, mm	1200±50
Losses when packing, as regards to bale weight, %, at most	1%

Additional information can be found at web-site: www.agro.krmz.info

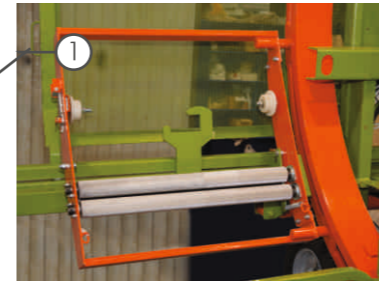


4, Trubnaya st., Krasnokamsk,
617060, Perm Territory, Russia,
Tel: +7 342 255 40 51
agro@krmz.info

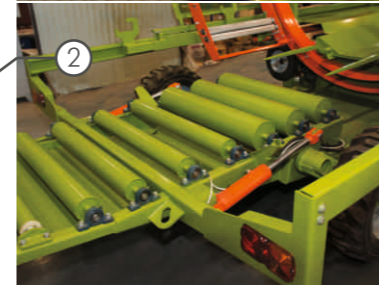


Inline Bale Wrapper Speedway 120

The equipment is designed for rapid wrapping of grassy mass bales into special wrapping



A carriage is equipped with a tensioning unit for tight wrapping of bales.



An inclined mechanism allows fast switching of the wrapper into transport position and back.



An internal-combustion engine with an electrical starter provides an autonomous operation of the bale wrapper.



A parking brake prevents an accidental movement.

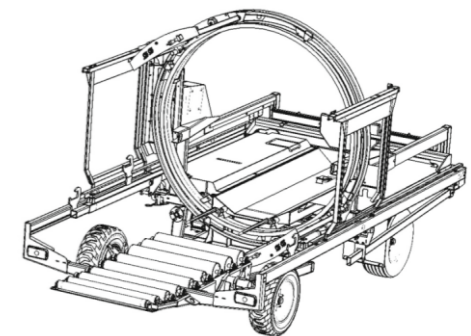


All required lighting devices and standard connector are installed at the bale wrapper.



Bale wrapper mechanisms are actuated by an internal-combustion engine with power of 13 hp. Wrapping material saving makes up to 60% in comparison with an individual bale wrapper.

Rapid bale packer is manufactured at Italian-Russian joint-venture company Krasnokamsk Machinery and Repair Plant, LLC.



An operating principle is based on a bale movement from forward to backward of the bale wrapper with simultaneous wrapping into a film. A bale is loaded to the bale wrapper frame from the front. A pusher starts a front-to-rear movement, while pushing a bale along the bale wrapper. The bale abuts against the previous bale and moves together with it along the bale wrapper. Due to the bales previously wrapped are located at the ground surface (out of the bale wrapper) and their weight exceeds a weight of the bale wrapper, the latter one pushes off from the bales while moving forward.